



PLATINUM ALL ALUMINUM RETROFIT DRAIN

features

DOME

- ✓ Foundry cast heavy duty aluminum dome
- ✓ Dome top designed for contractors label
- ✓ 33 weir slots for maximum water flow
- ✓ Fits all sizes of Platinum copper drains
- ✓ 3 bolt design for efficient installation
- ✓ Vandal resistant yet contractor friendly

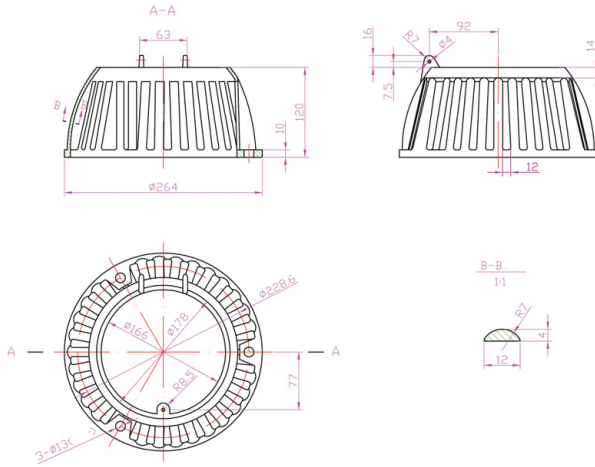
FLANGE / CLAMPING RING

- ✓ Heavy cast aluminum construction
- ✓ 9 drainage channels to allow full drainage
- ✓ Flange designed for optimum seal with roof flashing
- ✓ Fits all sizes of Platinum copper drains
- ✓ Reversible to allow elevation drainage options

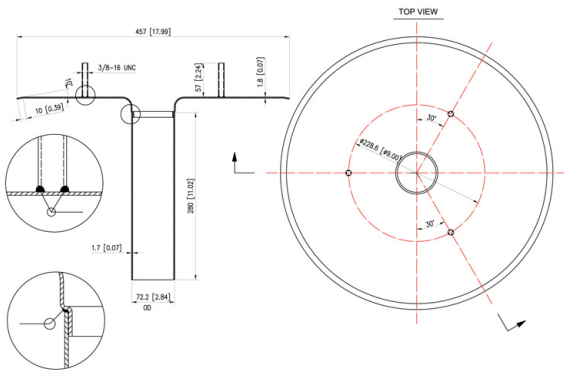
DRAIN DECK and STEM

- ✓ Deck of 1.8 mm Alum 1060 grade premium aluminum
- ✓ Stem of 1.7 mm Alum 1063 T-5 grade premium aluminum
- ✓ Available in Flat deck sizes 1 3/4", 2 3/4", 3 3/4", 5 3/4" and in Recessed deck sizes 2 3/4", 3 3/4" and 5 3/4"
- ✓ Aluminum welded and overlapping seams for clean solid weld fusion
- ✓ Aluminum Argon Arc welded bolts and stem to deck **Platinum Exclusive For Added Strength**
- ✓ 3/8" aluminum T6-6061 bolts to aluminum deck
- ✓ Extra set of stainless steel nuts (6)
- ✓ Code approved CSA-B79
- ✓ Available in Retrofit sizes 2 3/4", 3 3/4" and 5 3/4"

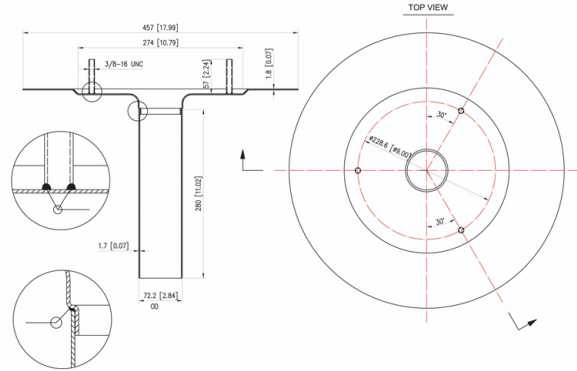
Aluminum Flip Top Dome



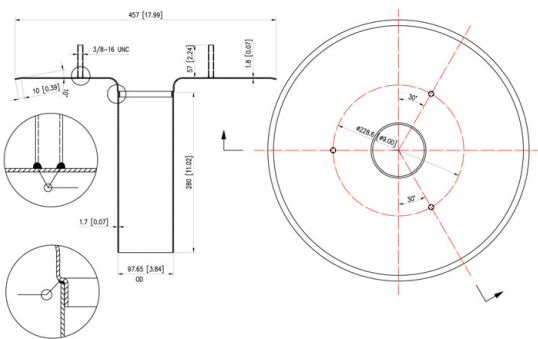
2 3/4" Aluminum Flat Deck Drain



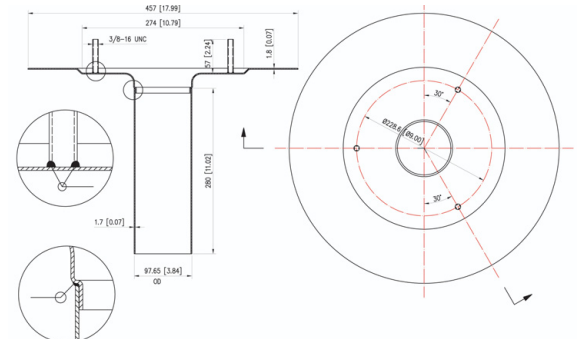
2 3/4" Aluminum Recessed Deck Drain



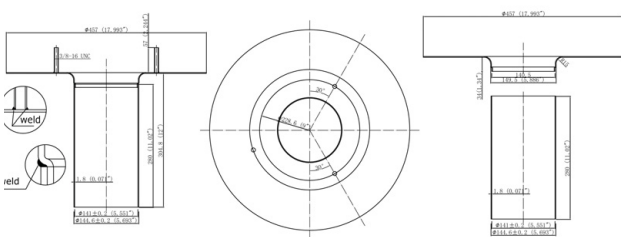
3 3/4" Aluminum Flat Deck Drain



3 3/4" Aluminum Recessed Deck Drain



5 3/4" Aluminum Flat Deck Drain



5 3/4" Aluminum Recessed Deck Drain

