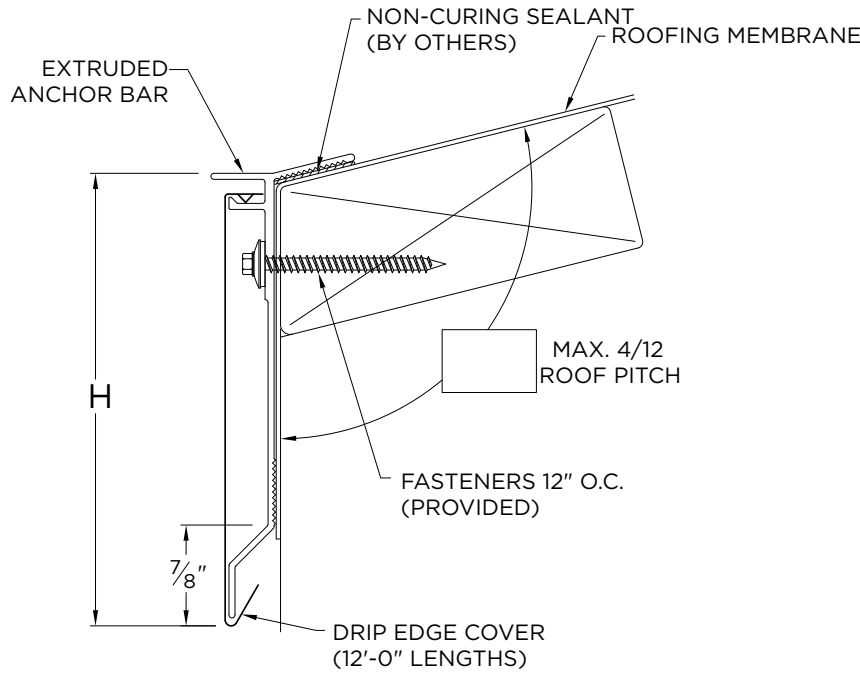


TERMINEDGE DRIP EDGE EX
PITCHED ROOF FLANGE

NOTES

- Fascia cover provided with lap joints
- For non-90 miters, see separate print approval
- Product should be installed per provided installation instructions
- ANSI/SPRI/FM 4435/ES-1 Test Pressure up to 98 psf



APPROVALS



ANSI/SPRI/FM 4435/ES-1
Test Pressures listed in notes

PROJECT INFO

Project Name: _____

Architect: _____

Roofing Contractor: _____

Project Type:

By selecting this box you have verified and confirmed that dimensions, sizes, and quantities are correct. All products will be installed in strict accordance with printed instructions.

Date: _____

Hickman Edge Systems
4 Commerce Way
Arden, NC 28704
Phone: 828-676-1700
www.hickmanedgesystems.com

SHT# 1 of 1

DATE: 10/18/21

DRN BY: JJC

CKD BY: MM

DWG #: 64010-36618

REV: A

DIMENSIONS

PRODUCT ID. NO.	H DIM
AFDE-30	3"
AFDE-45	4 1/2"
AFDE-60	6"
AFDE-75	7 1/2"

MATERIAL

- 24 Ga. Galv. Steel Color: _____
- 22 Ga. Galv. Steel Finish: _____
- .040" Aluminum
- Substrate:** Wood
If substrate is not given, wood fasteners will be provided. Masonry Metal
- OTHER: _____

QUANTITIES

_____ Lineal Feet (12'-0" Lengths)

_____ Outside Miter (90°)

_____ Inside Miter (90°)