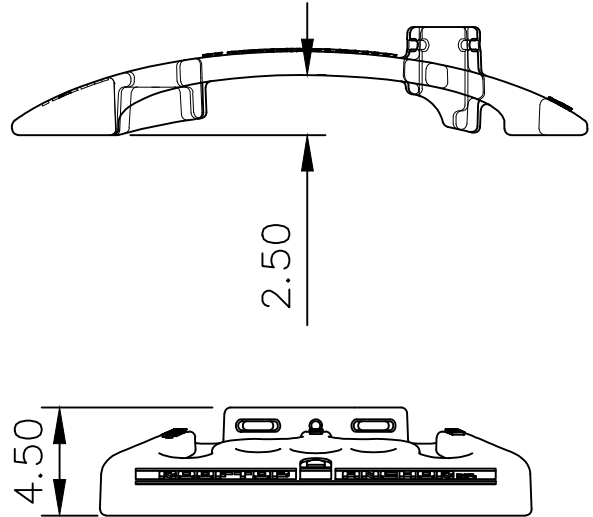
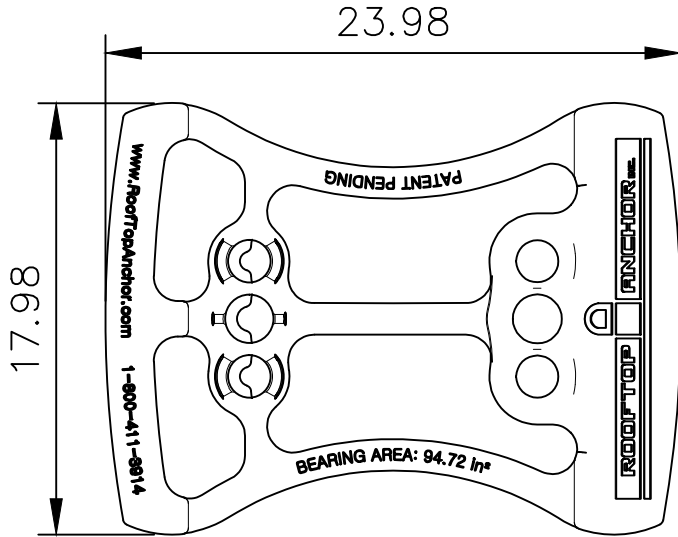


TECHNICAL DATA SHEET

COUNTERWEIGHTED GUARDRAIL BASE

GC000

SECTOR
SAFETY SYSTEMS



OFF CENTERED STANCHION
MOVES THE BASE AWAY
FROM THE WALKING SURFACE,
PREVENTING A TRIP HAZARD

FOR 1.25" PIPE

FOR 1.5" PIPE

CURVED PROFILE TO
PREVENT WATER PONDING

TAPERED SOFT
EDGES PREVENT
CUTS AND SNAGS
ON ROOF MEMBRANE

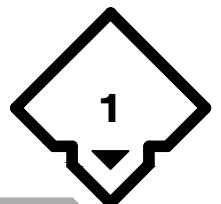
PROFILE FOR
EASY HANDLING

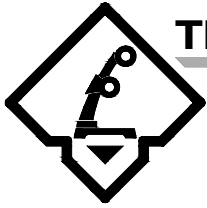
HOLES FOR PIPE TO
REACH BOTTOM
BASE WHEN STACKED

MATERIAL	CAST IRON
WEIGHT	85 lbs.
FOOTPRINT	94.72 in ²
ROOF PRESSURE	0.90 psi



PROPRIETARY AND CONFIDENTIAL
The information contained in this drawing is the sole property of
Rooftop Anchor, Inc. Any reproduction in part or as a whole without
written permission of Rooftop Anchor, Inc. is prohibited.



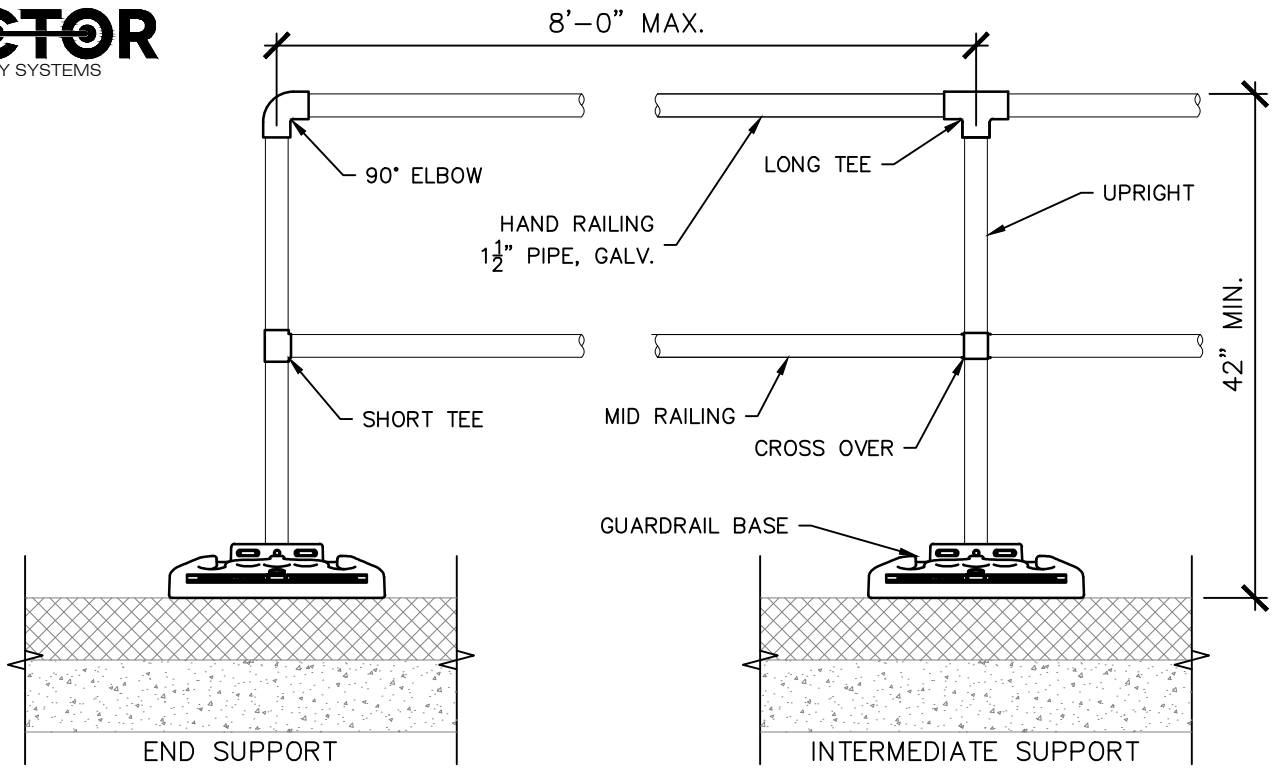


TECHNICAL DATA SHEET

COMPONENT COUNTERWEIGHTED GUARDRAIL SYSTEM

GCC _ _

SECTOR
SAFETY SYSTEMS

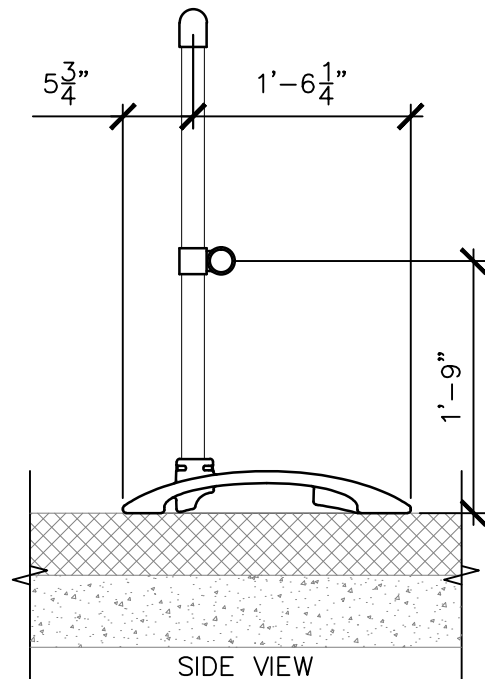


PART # GCC _ _

- G]— PRODUCT TYPE (GUARDRAIL)
- C]— ATTACHMENT METHOD (COUNTERWEIGHTED)
- C]— GUARDRAIL STYLE (COMPONENT)
- 4]— VERTICAL HEIGHT: _ "(42")
- 2]—
- 8]— RAIL LENGTH: _ _ " (8' 0")
- 0]—

NOTES:

1. ALL GUARDRAIL SHALL BE A PART OF AN OSHA COMPLIANT GUARDRAIL SYSTEM.
2. GUARDRAIL SHALL HAVE A MINIMUM HEIGHT OF 42" ABOVE THE FINISHED WALKING SURFACE.
3. PIPE RAILINGS SHALL HAVE A MINIMUM NOMINAL DIAMETER OF 1 1/2".
4. POST SPACING SHALL NOT EXCEED 8'-0".
5. ANCHORING OF POSTS AND FRAMING OF MEMBERS FOR RAILS SHALL BE SUCH THAT THE COMPLETED STRUCTURE SHALL BE CAPABLE OF WITHSTANDING A LOAD OF AT LEAST 200 POUNDS APPLIED IN ANY DIRECTION AT ANY POINT ON THE TOP RAIL.



PROPRIETARY AND CONFIDENTIAL

The information contained in this drawing is the sole property of Rooftop Anchor, Inc. Any reproduction in part or as a whole without written permission of Rooftop Anchor, Inc. is prohibited.

	PIPE	BRACKETS / BASES
MATERIAL	ASTM A53	CAST IRON, GALV.
QUALITY	100% VISUAL INSP.	100% VISUAL INSP.
COLOR	METALLIC	DULL METALLIC

